



Tire Retread Component Tech-Sheets

McGINTY CONVEYORS, INC.

5002 W. WASHINGTON ST.

INDIANAPOLIS, IN 46241

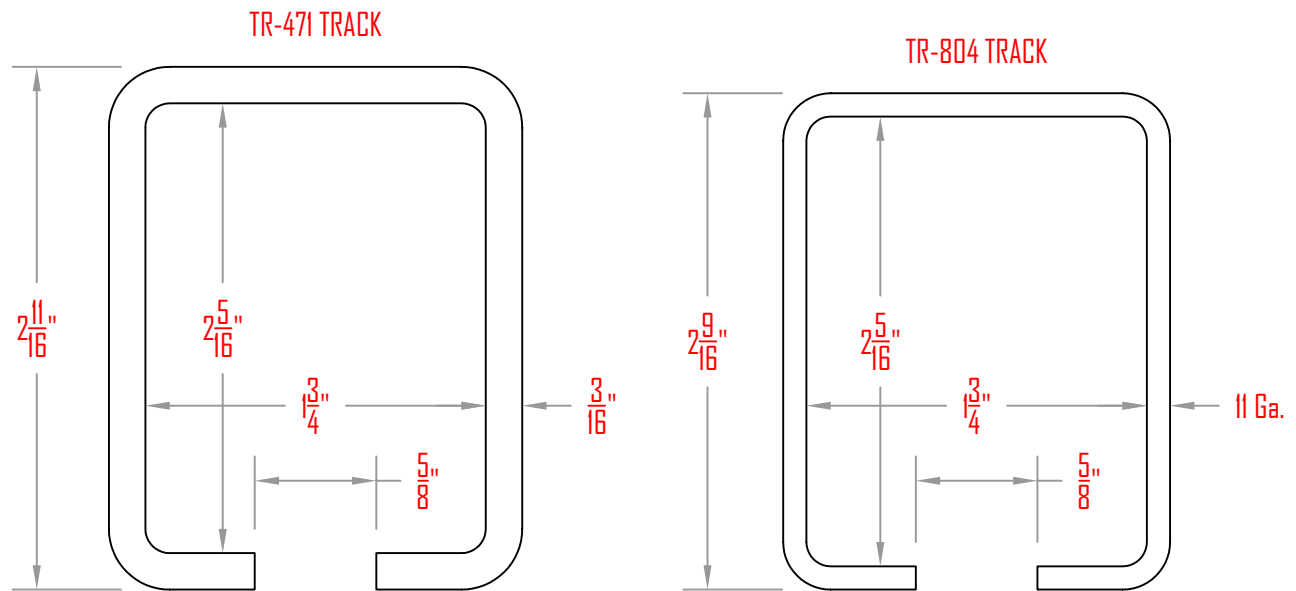
PHONE: (317) 244-3353

FAX: (317) 240-4323

EMAIL: info@mcgintyconveyors.com

WEB: www.mcgintyconveyors.com

PAGE	PART #	DESCRIPTION
<i>TRACK & ACCESSORIES</i>		
001	TR-471 & TR-804	STRAIGHT TRACK
002	AS NOTED	HORIZONTAL CURVES
003	TR-705	CARRIER INSERT SECTION
004	TR-155	WELDING JIG
<i>CARRIERS</i>		
005	CA-2615	FOUR WHEEL CARRIER
006	CA-2010	"C" HOOK
<i>SWITCHES & ACCESSORIES</i>		
007	SW-2473	THREE-WAY "T" SWITCH



DESCRIPTION: The standard TR-471 track is a tubular section formed from 3/16" plate steel and is available in 10-foot lengths. A lighter weight, 11 gauge (TR-804) is also available. The track is finished with McGinty Conveyors standard baked enamel powder coat paint. Unpainted and stainless steel track are also available.

APPLICATION: The track provides the runway for the carriers in the "Safe-Rail" manual push monorail systems. It also provides the runway for the chain in the "Zig-Zag" continuous power chain conveyors. In Power & Free systems, such as "Twin-Trak", incorporating two tracks, the heavier gauge track is used to carrier the load and the lighter gauge track is used for the continuous "Zig-Zag" power chain.

SHIPPING WEIGHT: TR-471 Track: 50 lbs. per 10-foot section
TR-804 Track: 35 lbs. per 10-foot section



McGINTY CONVEYORS, INC.
5002 W. WASHINGTON ST.
INDIANAPOLIS, IN 46241
PHONE: (317) 244-3353
FAX: (317) 240-4323
EMAIL: info@mcgintyconveyors.com
WEB: www.mcgintyconveyors.com

TITLE:

STRAIGHT TRACK

DRAWN BY: JQUINLAN

APPROVED BY: JMcGINTY III

DATE: 10/6/05

REVISION:

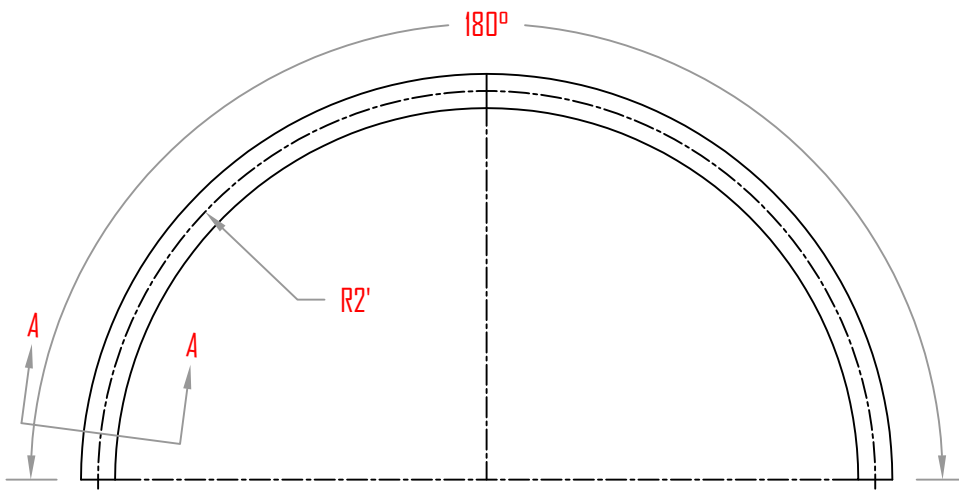
SCALE: NTS

SIZE: A

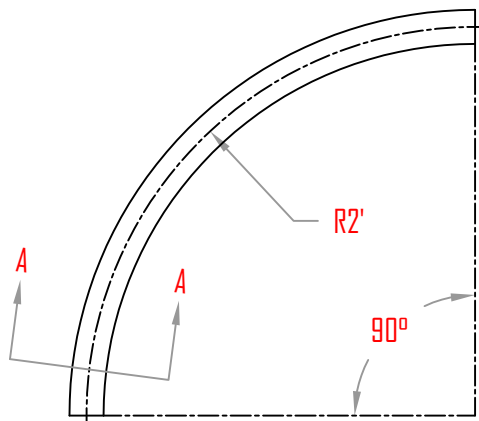
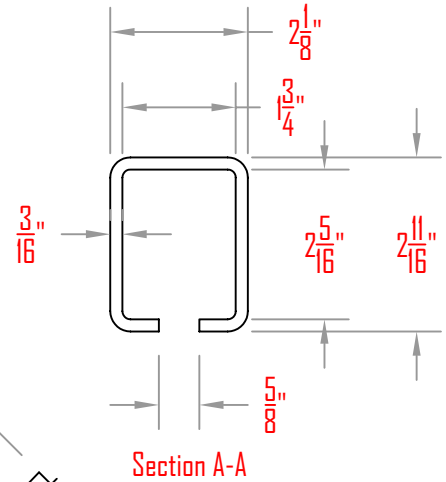
DWG #: TR-471 & TR-804

SHEET: 001

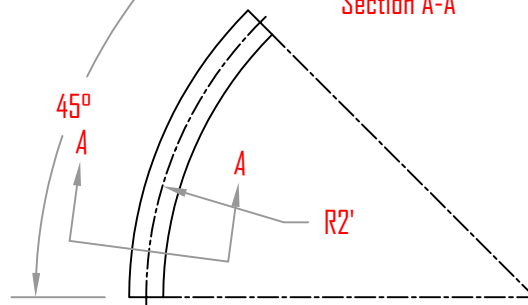
STANDARD 2'-0" RADIUS HORIZONTAL CURVES
PART #: AS NOTED



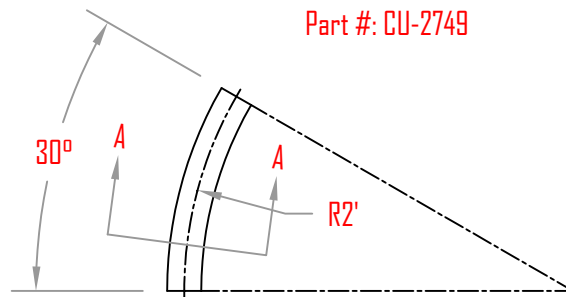
180° Horizontal Curve, 2'-0" Radius
Part #: CU-2679



90° Horizontal Curve, 2'-0" Radius
Part #: CU-1352



45° Horizontal Curve, 2'-0" Radius
Part #: CU-2749



30° Horizontal Curve, 2'-0" Radius
Part #: CU-2748

DESCRIPTION: Horizontal Curves are used in "Safe-Rail" and "Zig-Zag" applications for changes in direction. They are also used in chain returns in power and free systems. Curves are available in 2'-0" radius by 180, 90°, 45° and 30° and are finished with McGinty Conveyors standard baked enamel powder coat paint.

SHIPPING WEIGHT: CU-2679: 30 lbs.
CU-1352: 15 lbs.
CU-2749: 8 lbs.
CU-2748: 6 lbs.



McGINTY CONVEYORS, INC.
5002 W. WASHINGTON ST.
INDIANAPOLIS, IN 46241
PHONE: (317) 244-3353
FAX: (317) 240-4323
EMAIL: info@mcgintyconveyors.com
WEB: www.mcgintyconveyors.com

TITLE:

STANDARD 2'-0" RADIUS
HORIZONTAL CURVES

DRAWN BY: JQUINLAN

APPROVED BY: JMcGINTY III

DATE: 10/6/05

REVISION:

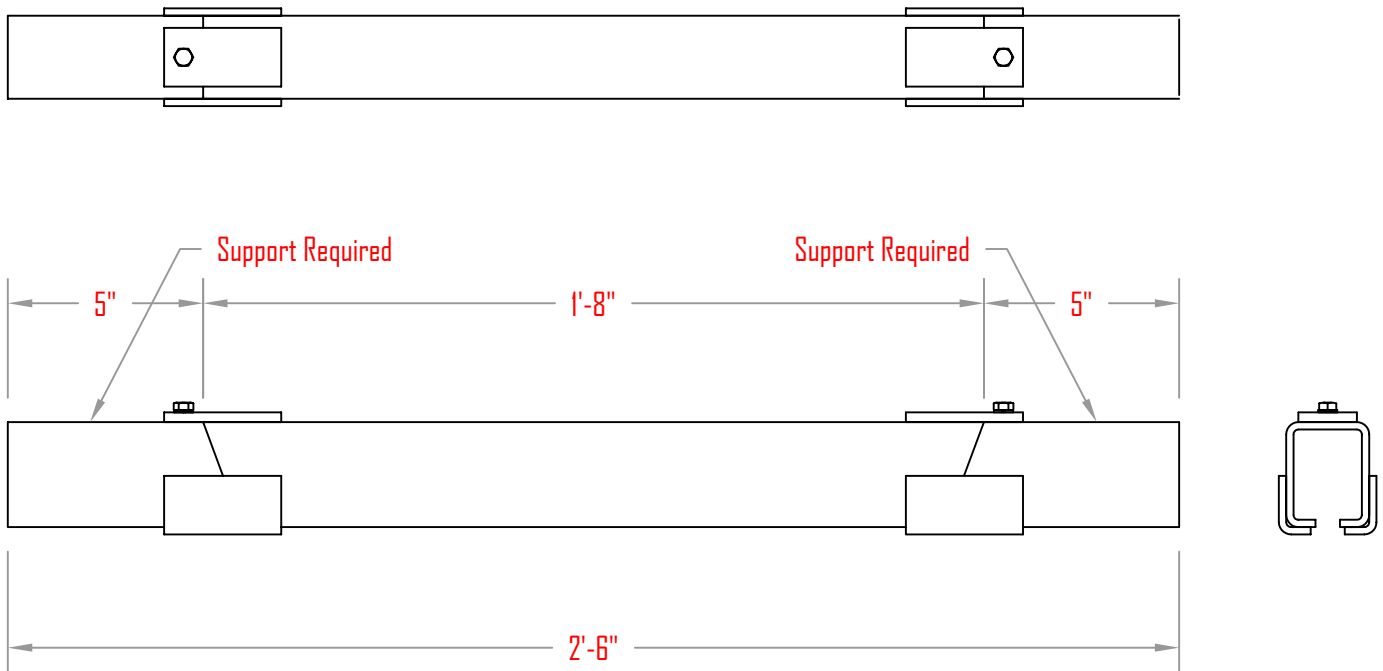
SCALE: NTS

SIZE: A

DWG #: Horizontal Curves

SHEET: 002

CARRIER INSERT SECTION
PART #: TR-705



DESCRIPTION: The Carrier Insert Section is formed out of 3/16" track. The center section of the track is beveled and has two bolts located in the top section. The movable track section **MUST** be bolted in place when not being used and supported as shown in the above detail. The stationary track ends **MUST** be supported and property braced at the two locations shown. The Insert Section is finished with McGinty Conveyors standard baked enamel powder coat paint.

APPLICATION: The Carrier Insert Section is necessary in any system which uses a closed loop design. This can be used in "Safe-Rail" as well as "Twin-Trak" Power and Free systems. It provides the only means for introducing carriers into the track. For easy accessibility it is recommended that it be located in a low straight track section.

SHIPPING WEIGHT: 10 lbs.



McGINTY CONVEYORS, INC.
5002 W. WASHINGTON ST.
INDIANAPOLIS, IN 46241
PHONE: (317) 244-3353
FAX: (317) 240-4323
EMAIL: info@mcgintyconveyors.com
WEB: www.mcgintyconveyors.com

TITLE:

CARRIER INSERT SECTION

DRAWN BY: JQUINLAN

APPROVED BY: JMcGINTY III

DATE: 10/6/05

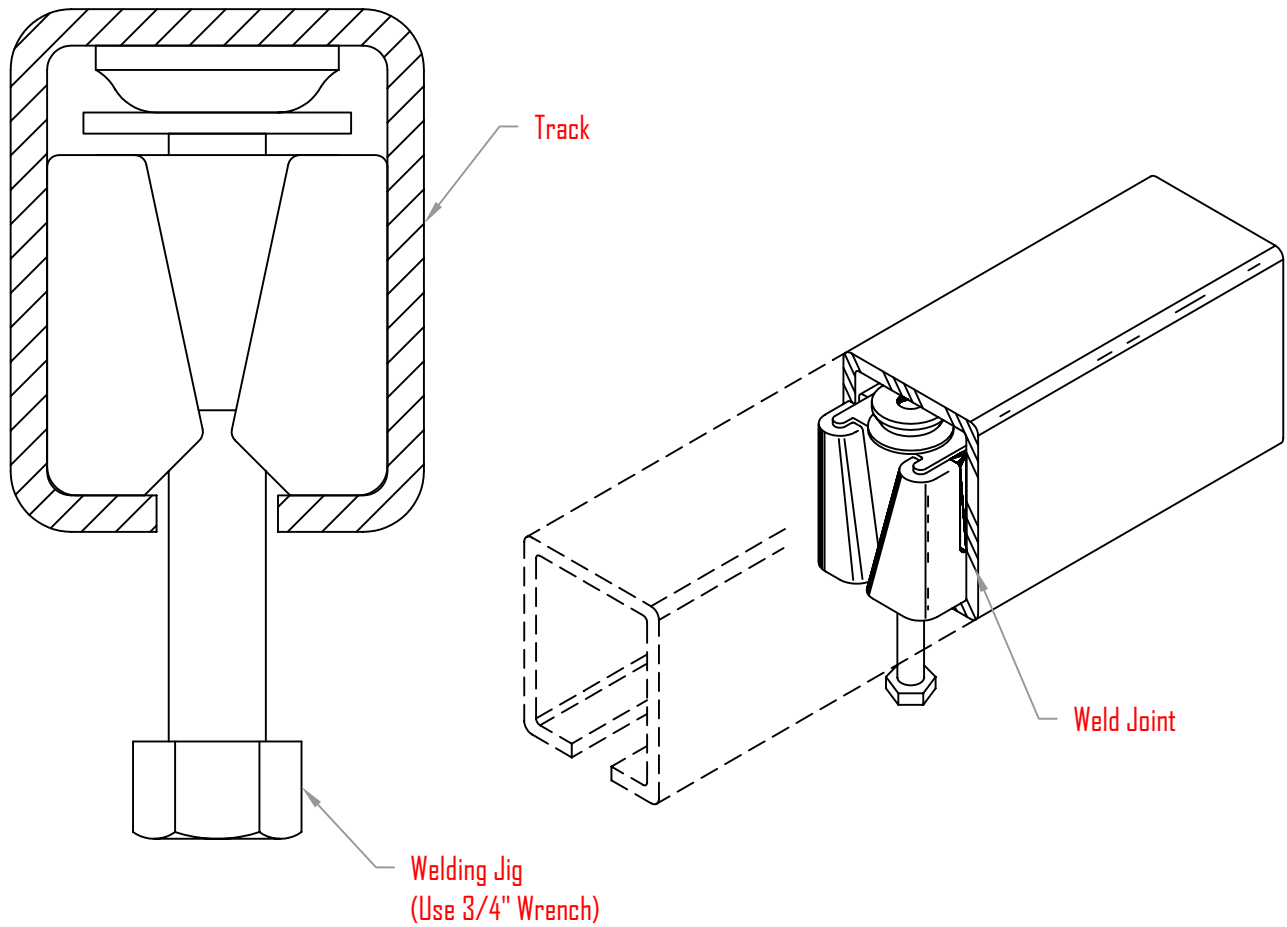
REVISION:

SCALE: NTS

SIZE: A

DWG #: TR-705

SHEET: 003



DESCRIPTION: The Welding Jig is an assembled brass fixture used to align all track joints.

APPLICATION: The use of the Welding Jig eliminates the necessity for the joint brackets and makes a continuous section of track. It aligns the inside of the track and holds the two sections in position for welding.

SHIPPING WEIGHT: 1.5 lbs.



McGINTY CONVEYORS, INC.
5002 W. WASHINGTON ST.
INDIANAPOLIS, IN 46241
PHONE: (317) 244-3353
FAX: (317) 240-4323
EMAIL: info@mcgintyconveyors.com
WEB: www.mcgintyconveyors.com

TITLE:

WELDING JIG

DRAWN BY: JQUINLAN

APPROVED BY: JMcGINTY III

DATE: 10/6/05

REVISION:

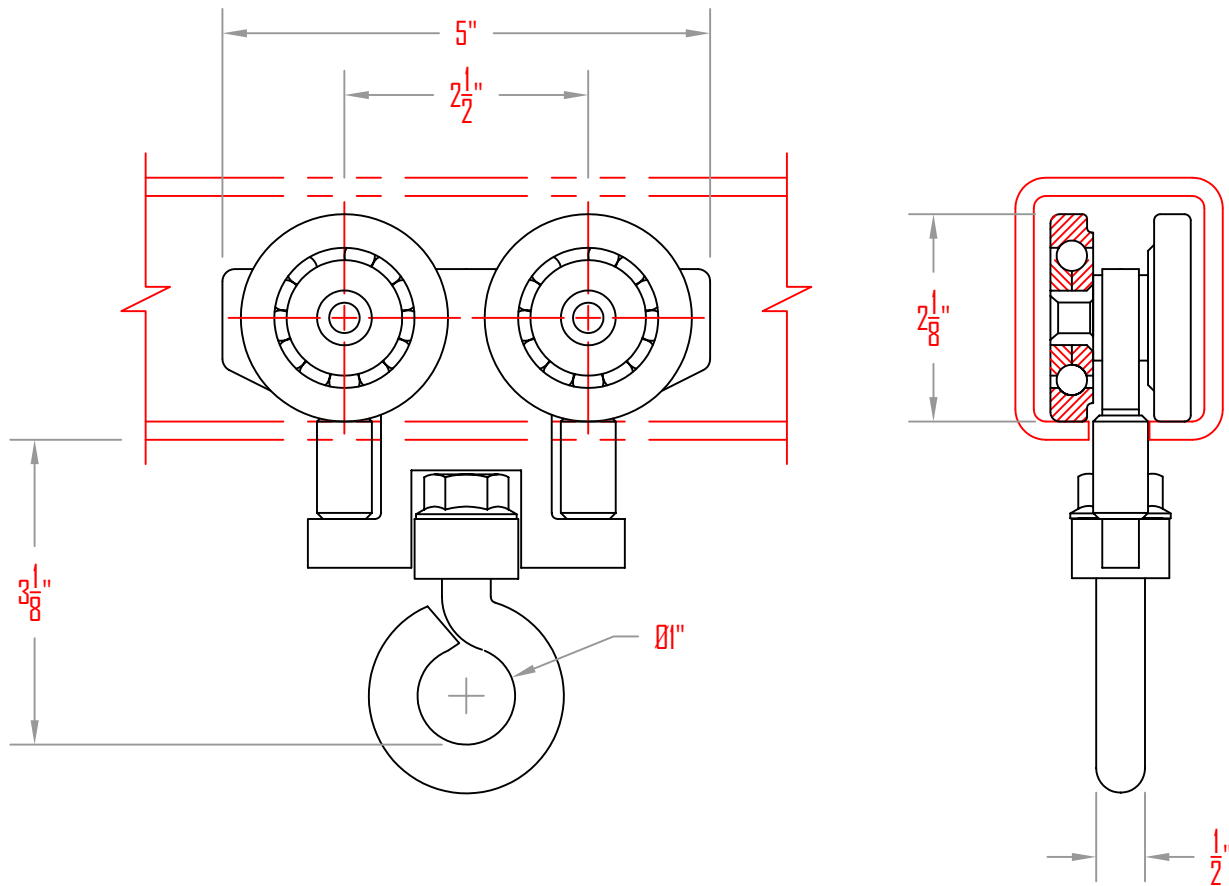
SCALE: NTS

SIZE: A

DWG #: TR-155

SHEET: 004

FOUR WHEEL CARRIER
PART #: CA-2615



DESCRIPTION: The Four-Wheel Carrier is used for "Safe-Rail" applications. The carrier has a 3/8" solid one piece body with hardened steel thrust rollers and a welded eyebolt for maximum strength. The machined wheels are 2-1/8" in diameter and have a full compliment of steel ball bearings.

APPLICATION: This carrier is specifically designed for the tire retread industry and usable in portable tool systems. The carrier is also used in all types of "Safe-Rail" applications with curves and switches.

CAPACITY: 250 lbs.

SHIPPING WEIGHT: 3 lbs.



McGINTY CONVEYORS, INC.
5002 W. WASHINGTON ST.
INDIANAPOLIS, IN 46241
PHONE: (317) 244-3353
FAX: (317) 240-4323
EMAIL: info@mcgintyconveyors.com
WEB: www.mcgintyconveyors.com

TITLE:

005

DRAWN BY: JQUINLAN

APPROVED BY: JMcGINTY III

DATE: 10/6/05

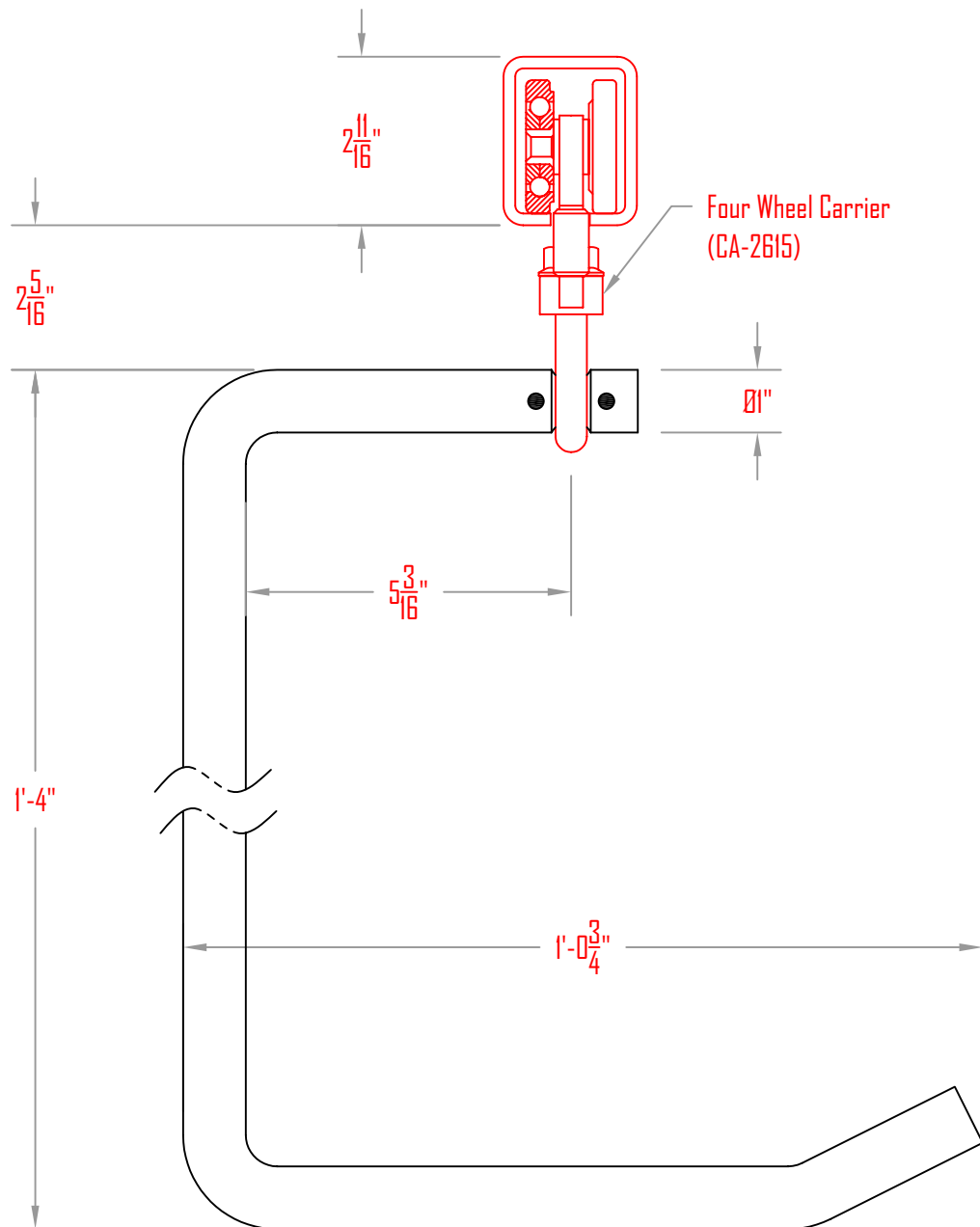
REVISION:

SCALE: NTS

SIZE: A

DWG #: CA-2615

SHEET: 005



DESCRIPTION: The "C" Hook is composed of a $\emptyset 1"$ Galvanized Steel bar bent in three places. The hook attaches to the Four-Wheel Carrier (CA-2615). The "C" Hook is attached by inserting the grooved end into the eyebolt of the carrier, and then inserting a clevis pin into the "C" Hook holes.

APPLICATION: The "C" Hook is used mainly in the Tire Retread Industry, providing a necessary means of carrying the product from one place to another.

SHIPPING WEIGHT: 8 lbs.



McGINTY CONVEYORS, INC.
5002 W. WASHINGTON ST.
INDIANAPOLIS, IN 46241
PHONE: (317) 244-3353
FAX: (317) 240-4323
EMAIL: info@mcgintyconveyors.com
WEB: www.mcgintyconveyors.com

TITLE:

"C" HOOK

DRAWN BY: JQUINLAN

APPROVED BY: JMcGINTY III

DATE: 10/6/05

REVISION:

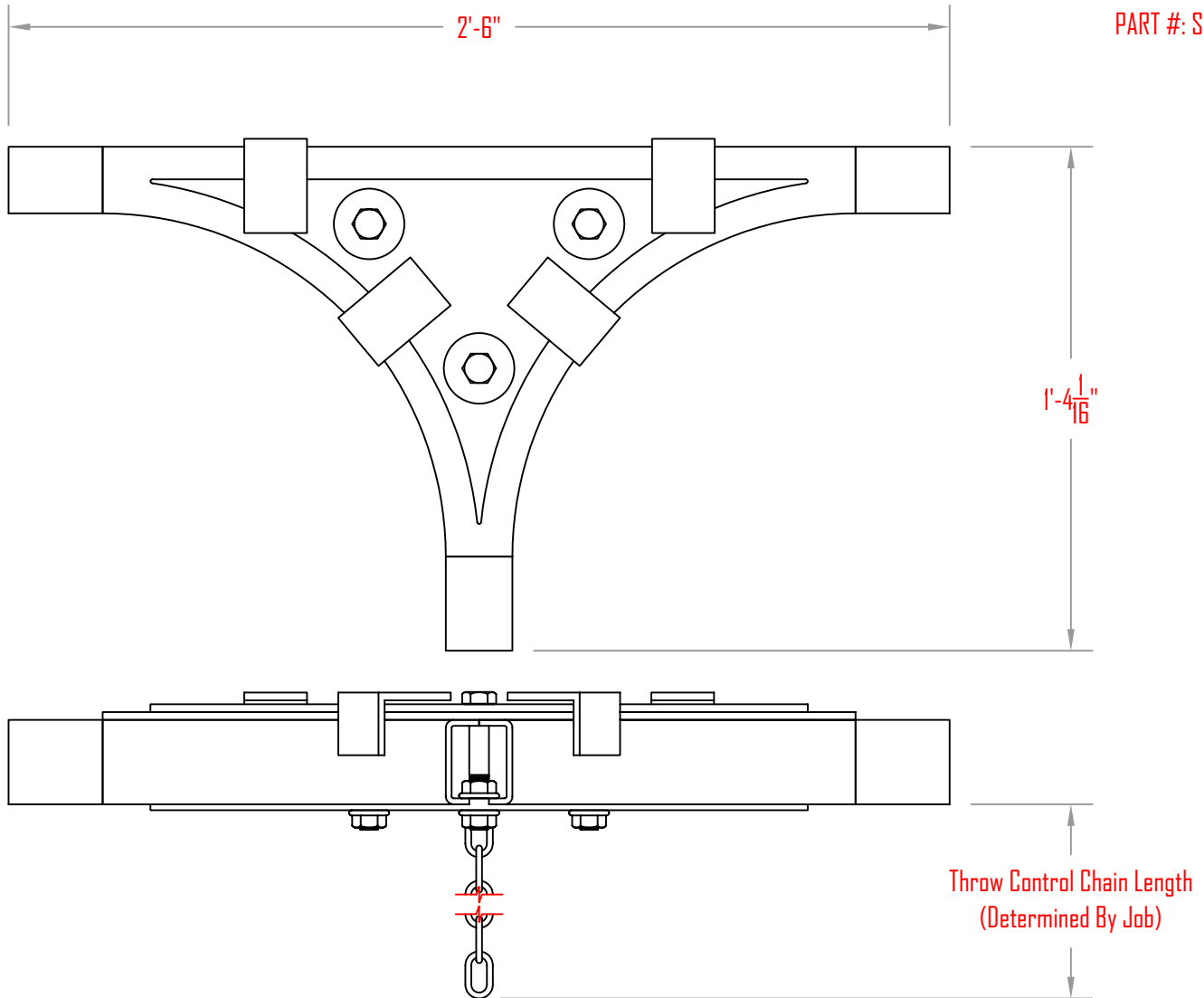
SCALE: NTS

SIZE: A

DWG #: CA-2010

SHEET: 006

THREE-WAY "T" SWITCH
PART #: SW-2473



DESCRIPTION: The McGinty Three-Way "T" Switch is a rugged unit with a full frog throw of 5/8". Carrier movement through the switch is smooth and unhampered as a result of the die-formed frog plate, which allows a line-to-line fit of the matching parts. Wide track gaps, present in most designs, are eliminated. The switch has two 12" radius x 90° curves for carriers with a wheel base of 12" or less. Carriers with a wheel base longer than 12" or where the angle is less than 90°, the Universal Frog Switch is recommended. This Three-Way Switch must be manually shifted from one position to another. Most commonly, a suitable actuator is used by the operator to engage the hole in the bottom of the frog plate.

APPLICATION: The McGinty Three-Way "T" Switch provides the means of moving a carrier left, right, or across in a "T" configuration, rather than the left, right, or straight provided by the universal switches.

SHIPPING WEIGHT: 30 lbs.



McGINTY CONVEYORS, INC.
5002 W. WASHINGTON ST.
INDIANAPOLIS, IN 46241
PHONE: (317) 244-3353
FAX: (317) 240-4323
EMAIL: info@mcgintyconveyors.com
WEB: www.mcgintyconveyors.com

TITLE:

THREE-WAY "T" SWITCH

DRAWN BY: JQUINLAN

APPROVED BY: JMcGINTY III

DATE: 10/6/05

REVISION:

SCALE: NTS

SIZE: A

DWG #: SW-2473

SHEET: 007